

**SPEC:**

A. Material

1. Housing: PA66

2. Terminal: COPPER ALLOY, TIN PLATED

B. Electrical Characteristics:

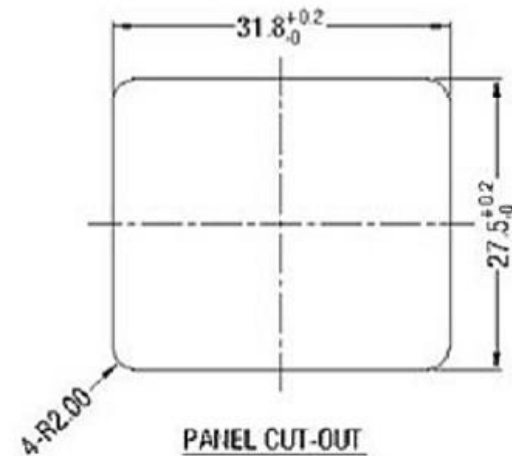
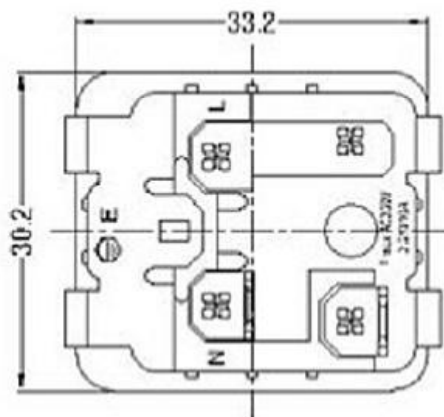
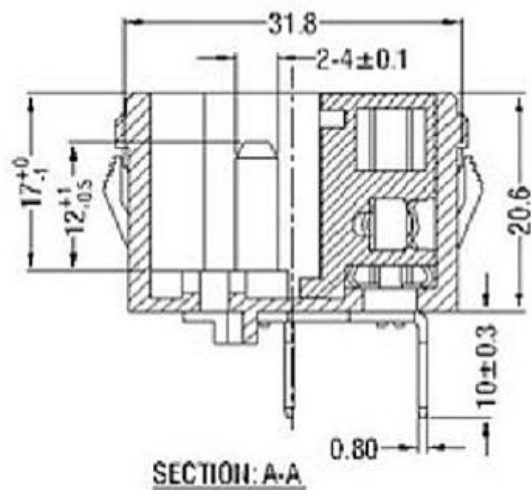
1. Rating: 10A 250V~

2. Electric Strength: AC 2,000 V FOR ONE MINUTE

3. Insulation Resistance: 100MΩ MIN, AT 500V DC

C. Approvals:

UL, CUL, CCC, ENEC



普通公差

COMMON TOLERANCE:

|               |       |
|---------------|-------|
| UP TO 5       | ±0.20 |
| ABOVE 5 TO 30 | ±0.30 |
| ABOVE 30      | ±0.50 |
| ANGULAR       | ±5°   |



东莞市高迪电子有限公司

|      |      |                      |       |                |            |                   |  |                    |               |
|------|------|----------------------|-------|----------------|------------|-------------------|--|--------------------|---------------|
| REV. | DATE | REVISION DESCRIPTION | ISSUE | 单位<br>UNIT     | mm         | 投影<br>PROJECTED   |  | 品名<br>PRODUCT NAME | AC POWER JACK |
|      |      |                      |       | 绘图<br>DRAWN BY | 林晓良        | 核对<br>CHECKED BY  |  | 型号<br>MODEL NO.    |               |
|      |      |                      |       | 日期<br>DATE     | 19. 08. 12 | 核准<br>APPROVAL BY |  | 料号<br>PART NO.     | KD-AC电源插座     |